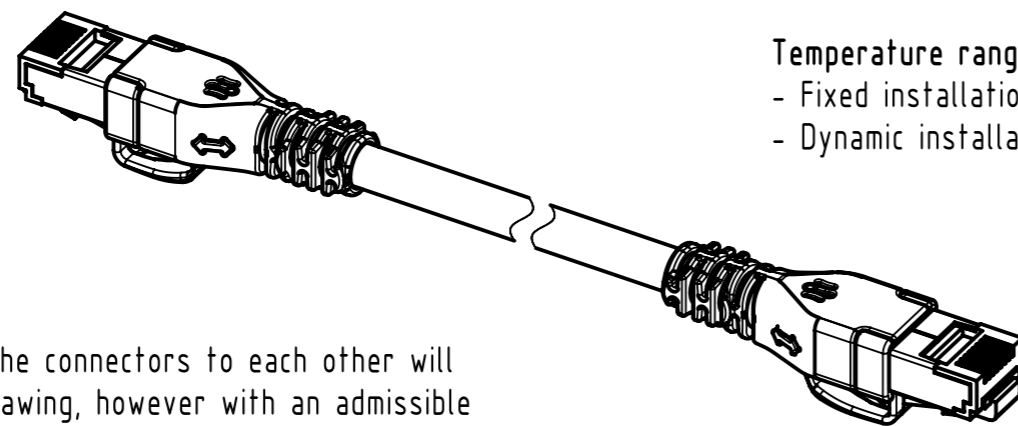
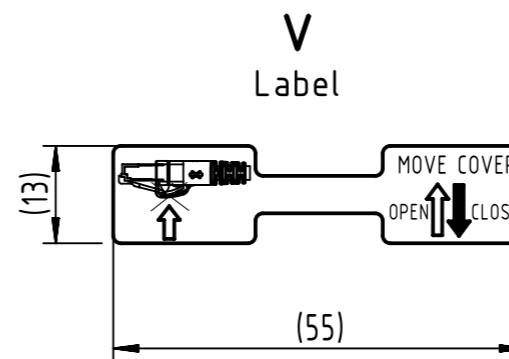
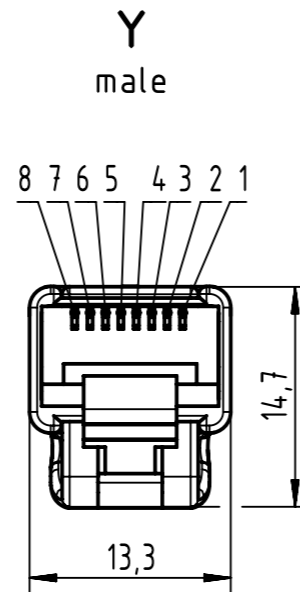
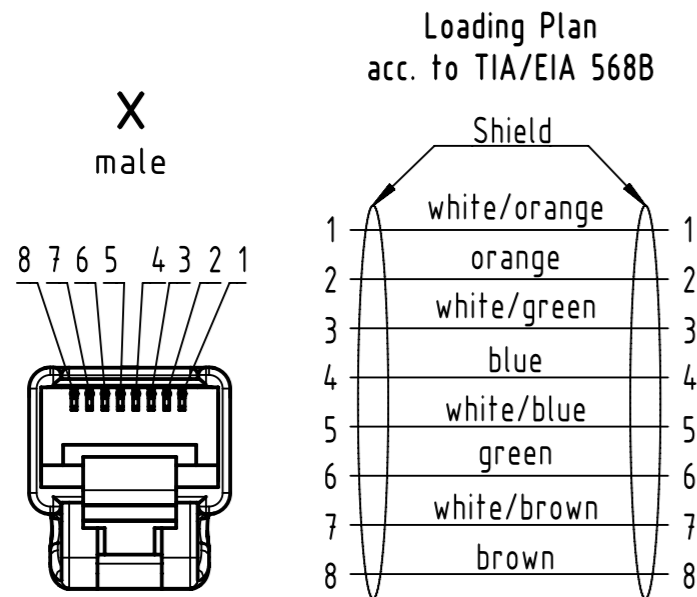
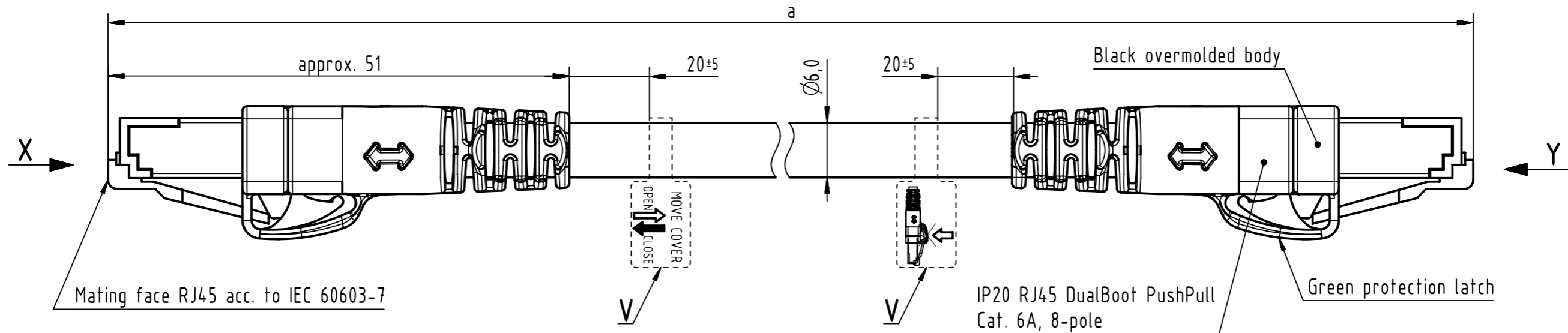


Connector Location A

Connector Location B



Temperature range:  
 - Fixed installation: -20°C ... +60°C  
 - Dynamic installation: 0°C ... +50°C

6.0 to 100	±1%
0.6 to 5.9	+0.04
0.2 to 0.5	+0.02
<b>a [m]</b>	<b>Tolerance</b>

length in "1m" step	100	XXX=000
	99	XXX=990
	.	.
	12	XXX=120
length in "0.1m" step	11	XXX=110
	10	XXX=100
	9.9	XXX=099
	9.8	XXX=098
	.	.
	0.5	XXX=005
0.4	XXX=004	
0.3	XXX=003	
0.2	XXX=002	
<b>Step</b>	<b>a [m]</b>	<b>XXX</b>

Cat. 7 FRNC Ethernet Cable, AWG 26/7, S/FTP, green	09488888579XXX
<b>Type of cable</b>	<b>Part no.</b>

**NOTE:**  
 \* For lengths < 1.0m:  
 - relative positioning of the connectors to each other will be as presented in the drawing, however with an admissible angular deviation around cable axis of ± 30°  
 \* For lengths ≥ 1.0m:  
 - relative positioning of the connectors to each other not obligatory  
 \* Ethernet transmission possible for lengths up to 45m

All Dimensions in mm		Tech. Character.		Free size tol.		According to production drawing	
All rights reserved		Created by 402990 Costa	Inspected by COSTEA Costa	Standardisation MUNTEANV Muntean	Date 2020-11-17	State Final Release	
Department HCS - RO		Title DualBoot RJ45 PP FRNC Cat.6A green				Doc-Key / ECM-Nr. 100578168/UGD/002/F 500000183443	
HARTING Customised Solutions D-32339 Espelkamp		Type TB	Number 09488888579XXX			Rev. F	Page 1/1